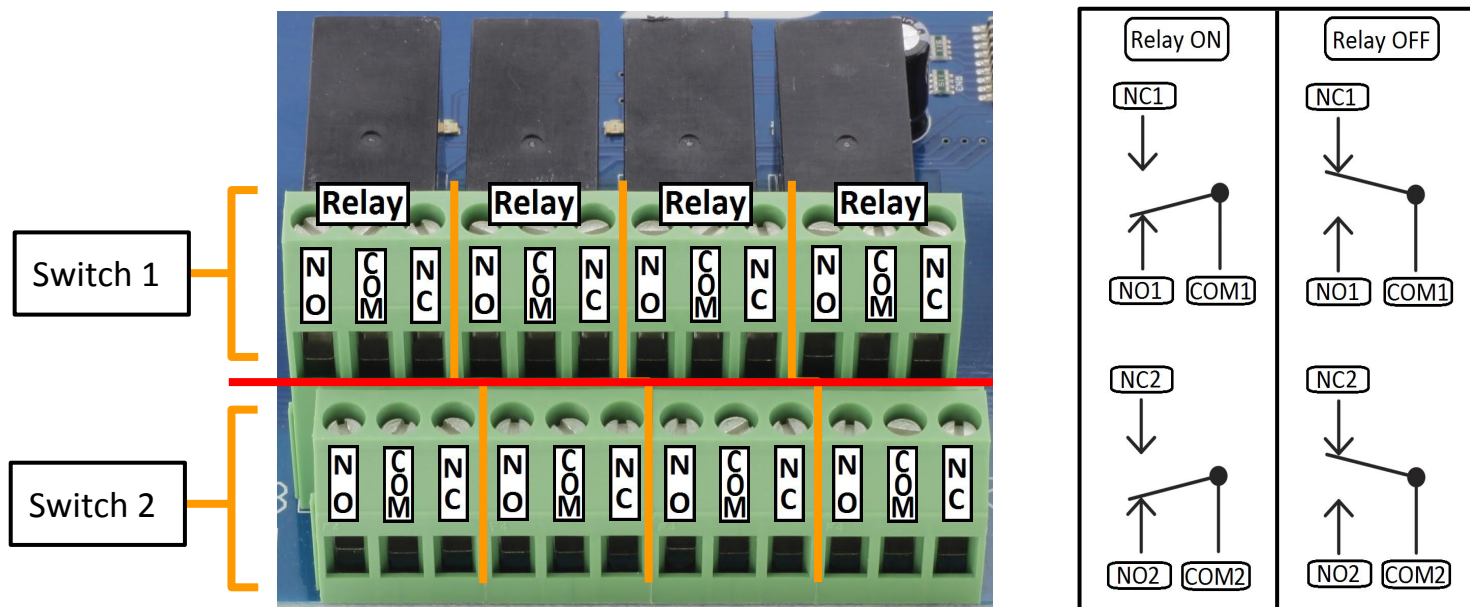


**CONNECTOR PINOUTS FOR 3A/5A DPDT RELAY**



**UR Relay Rating:**

5A@125VAC  
5A@28VDC

**Relay Warranty Rating:**

5A@240VAC  
5A@24VDC

**NOTE:**

This device uses two MCP23017 I/O Expanders to control relays. Address line A0 is permanently set low on the first MCP23017. Address line A0 is permanently set high on the second MCP23017. This configuration prevents on-board I<sup>2</sup>C addressing conflicts. When chaining multiple boards on a single I<sup>2</sup>C port, address jumpers A1 and A2 must be configured to unique settings for each controller.