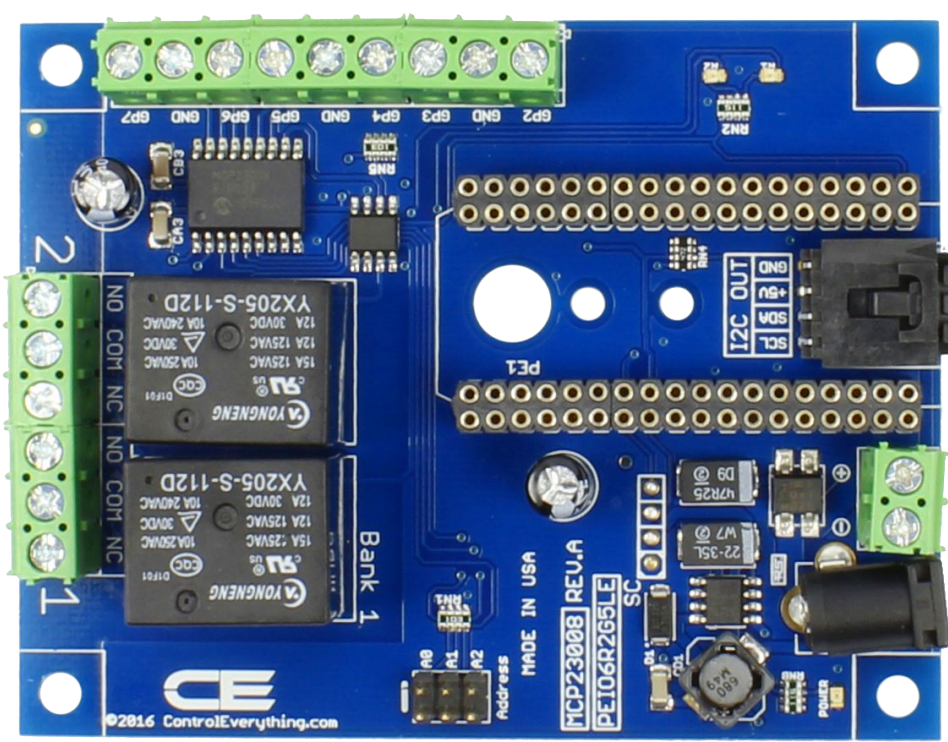


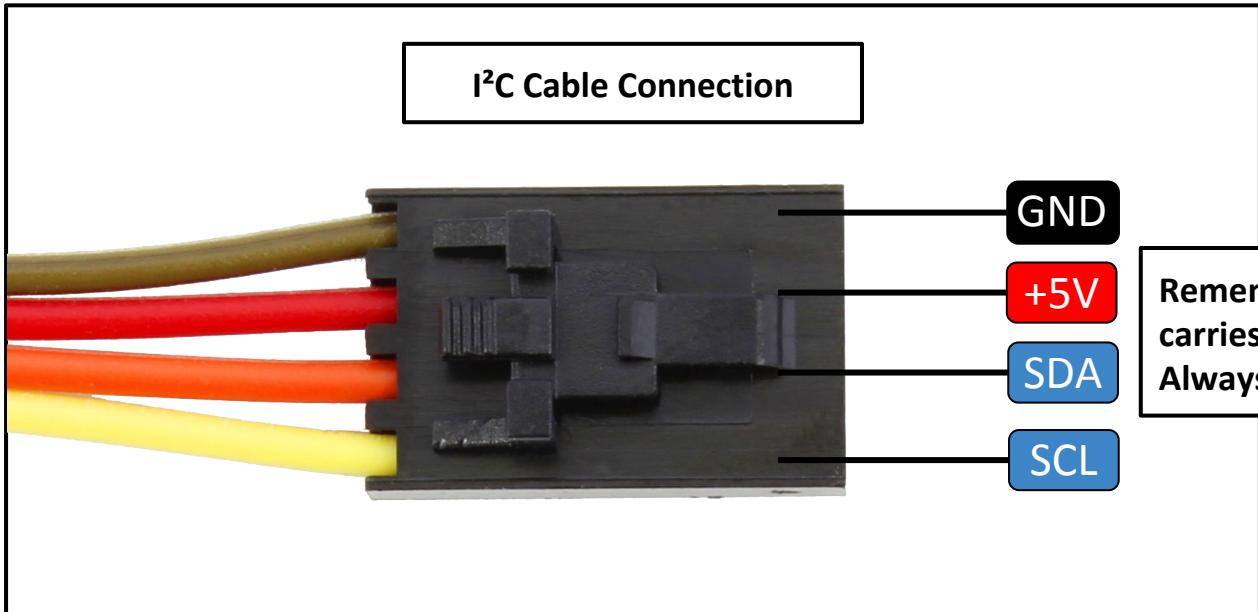
**Slave Devices: (right)**  
Offer functionality, but do not have an on-board processor.

**Master Devices: (below)**  
Include an on-board processor programmed to generate I<sup>2</sup>C signals.



**Note: Master I<sup>2</sup>C Devices** such as the controller shown (left) include 4.7K Pull-Up Resistors. All ControlEverything.com Slave devices have 4.7K Pull-Up jumper options, though they will not be needed if using our line of Master devices.

**Note: All ControlEverything.com Master Devices (above)** provide a regulated +5V on the I<sup>2</sup>C Port.



**Remember: The Brown Wire carries the Ground. Outputs Always Connect to Inputs.**